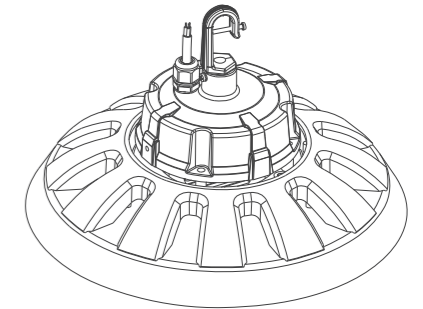


SC Series Luminaire

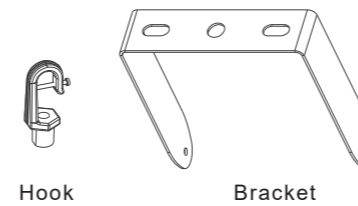
Installation Instructions



Type	Wattage	Input Voltage	CCT	Beam Angle	Weight
SCDxI5H00E	160 W	220-240 Vac	5000 K	100°	3.5 kg
SCDxD5H00E	130 W				
SCDx85H00E	85 W				
SCDxI5600E	160 W			60°	
SCDxD5600E	130 W				
SCDx85600E	85 W				
SCDxx4xxxE: 4000K		SCDBxxxxxE: Hook			
SCDxxxxDE: DALI		SCDFxxxxxE: Bracket			
SCDxxxxPE: NEDAP		SCDFxxxxE-C: Chain			
SCDxxxxME: Occupancy sensor					



Accessories



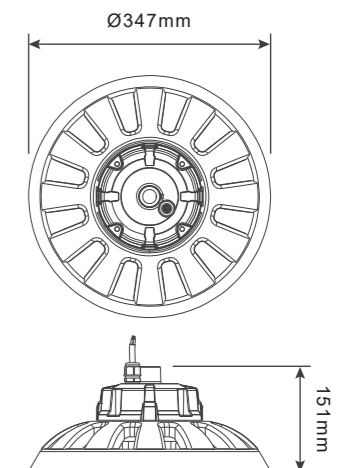
Hook

Bracket

Bracket type	10A	16A	20A	25A
B	2	4	5	6
C	4	7	9	12
K	8	14	17	22

$I_{peak}=198A$ and $duration=160\mu S$,
breaket number @230Vac

Dimension

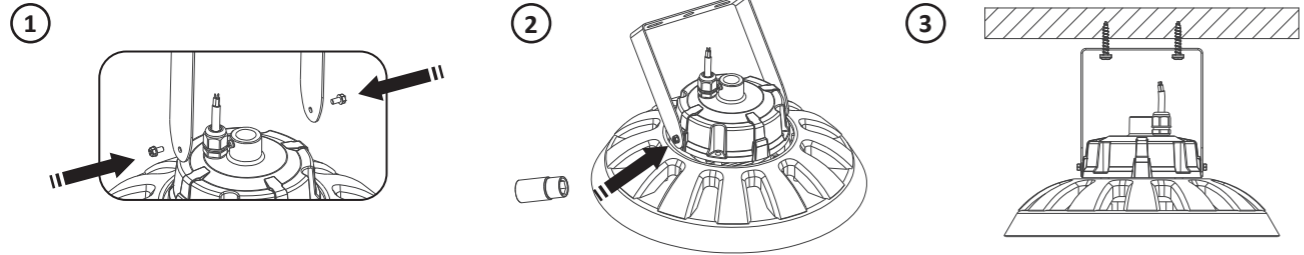
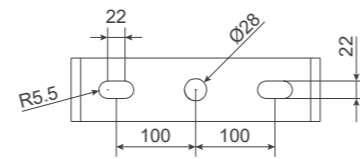


WARNING

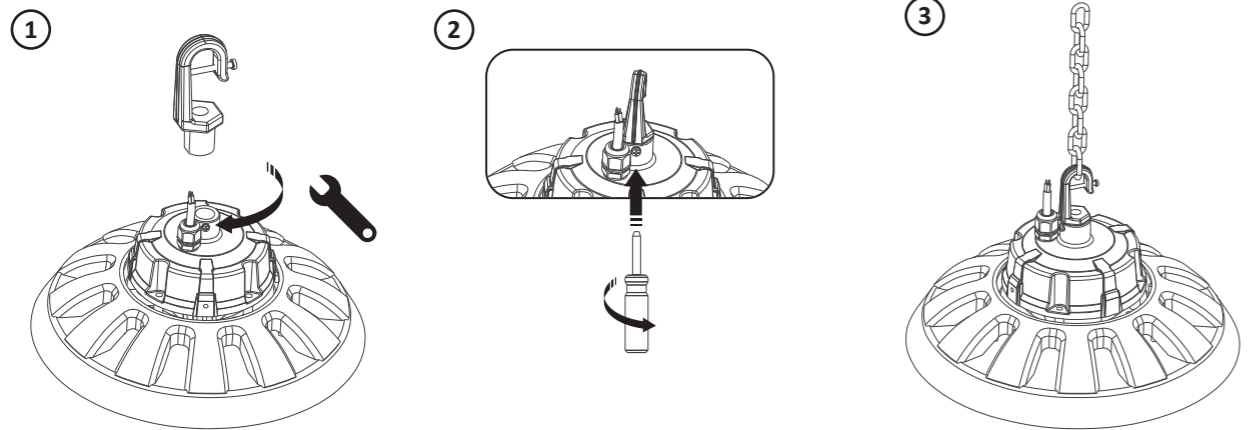
- This product must be installed in accordance with applicable local, state, and national electrical codes by a licensed person familiar with the construction and operation of the product and hazards involved.
- This luminaire must be adequately grounded for protection against shock hazards and to assure proper operation.
- The external flexible cable or cord of this luminaire cannot be replaced; if the cord is damaged, the luminaire shall be destroyed.
- The light source contained in this luminaire shall only be replaced by the manufacturer or his service agent or a similar qualified person.
- **Caution, risk of electric shock**
- This product is not for household use.
- The luminaire should be positioned so that prolonged staring into the luminaire at a distance closer than 1.8 m is not expected.
- Terminal block is not included. Installation may require advice from a qualified person.

Installation

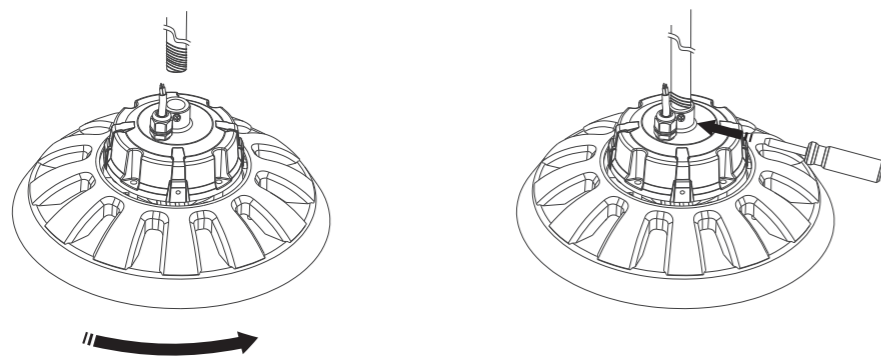
- Wall mounting / M5: 2.1 ft-lbs (30 Kgf.cm)



- Hook mounting



- Pendant mounting / screw thread : NPT 1/2"

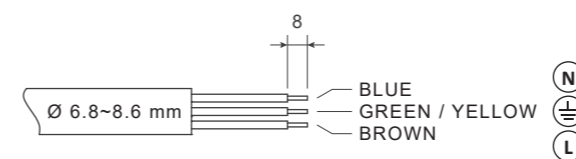


Wiring

- Wiring Connection

/ H05RN-F 3X1.0 mm²

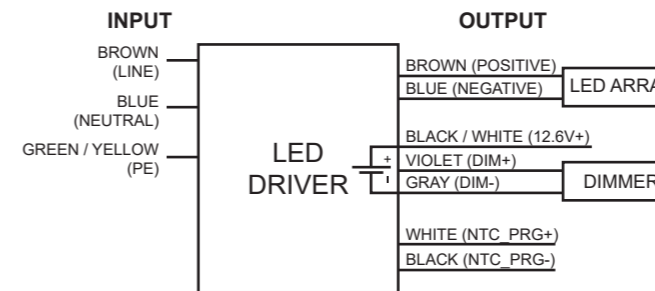
/ Terminal Block Selection



- The type of terminal: Both screw and screwless terminals can be used
- Number of terminals: Three terminals (L/N/PE) (Please refer to Wiring Connection drawing)
- Rated voltage: 220Vac-240Vac
- Rated connecting capacity: 1.0mm² gauge cable wire connection and 1.5A current rating
- Any necessary preparation of the ends of conductors: No need
- Any fixing method: No need

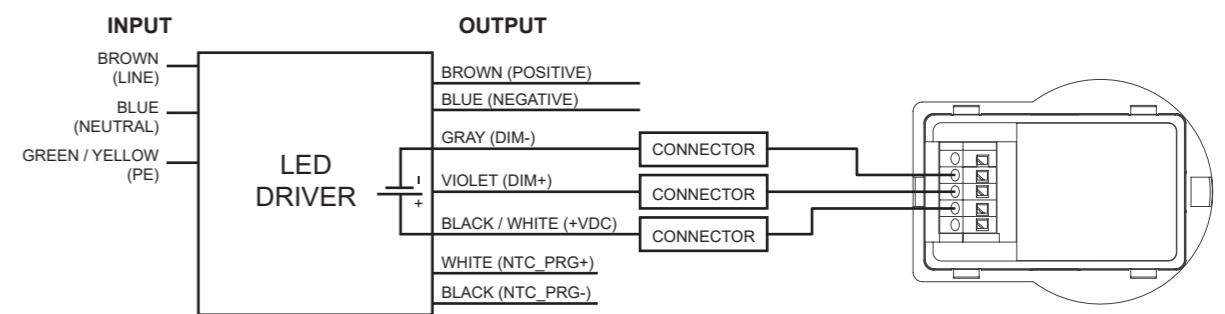
- Optional Installation

/ 0~10V Dimmer

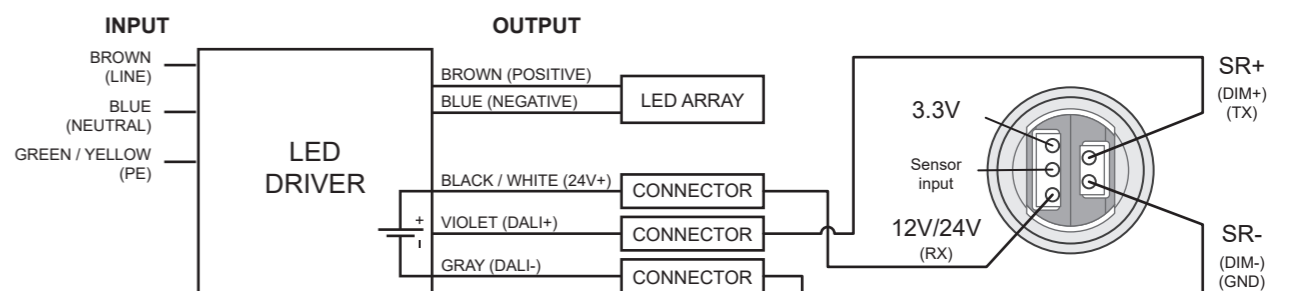


- A 10V Signal is about 100% lumen output
- A 0 V Signal is about 0% lumen output
- Basic insulation between LV supply and control conductors shall be provided
- For safety reasons , please keep the BLACK / WHITE (12.6V+) wire inside the IP65 junction box and make sure it is properly isolated by means of a connector

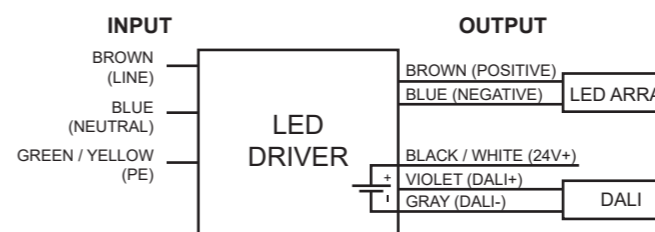
/ Sensor



/ Nedap IoT node module



/ DALI application



- For safety reasons , please keep the BLACK / WHITE (24V+) wire inside the IP65 junction box and make sure it is properly isolated by means of a connector.